



SEVENCRAANE

Henan Seven Industry Co.,Ltd

Address: Changyuan, Xinxiang City, Henan province, China.

Email: info@sevencrane.com

Tel: (00)86-371-55576206

Web: www.sevencrane.com

Henan Seven Industry Co.,Ltd

Jib Crane



SEVENCANE

Company profile

SEVENCRA NE (Henan Seven Industry Co., Ltd) offers our customers with reliable, safe and high-performance solutions for industrial cranes, crane components and drives. SEVENCRA NE serves a wide range of industries including machinery, metallurgy, power industry, railways, water conservancy, ports, mines, coal, petroleum, chemical industries, etc.

SEVENCRA NE stands for first-rate service, cost-effective, high quality. Based on our brand commitment, we provide butler-style services to our customers at all stages, and fully consider the solutions for the purchase, production, transportation, installation and after-sale process of cranes.

Our customers appreciate our reliability and professionalism. Our sales staffs are trained in professional crane knowledge and customers can communicate with them on technical issues directly.

Values and vision

SEVENCRA NE is committed to the highest efficiency, best results and best service. Choose SEVENCRA NE to give you peace of mind and focus on your business.

Our core values: First class service—Safety—Efficient—Reliable

" Tell sevencrane your needs and leave the rest to us. "

Business area

Spare parts and service	Industrial cranes
SEVENCRA NE provides components and maintenance services for all types of cranes to help customers increase productivity and perform crane maintenance or assembly.	SEVENCRA NE serves a wide range of industries including machinery, metallurgy, power industry, railways, water conservancy, ports, mines, coal, petroleum, chemical industries, etc. We offer cranes, solutions of crane and material handling solutions to a wide range of customers.
Product: SEVENCRA NE can provide: Rail system, Bus bar, Remote control, Wire rope, All kinds of hook block, Wheels, Couplings, Drums, Buffers, End carriage, Pulley, Grab buckets, Crane magnet. We also provide crane system design, crane installation and training for our customers, and have perfect after-sales service.	Product: SEVENCRA NE provide customers in various industries: Gantry crane, Bridge crane, Jib crane, Electric hoist, Winch, European type crane.

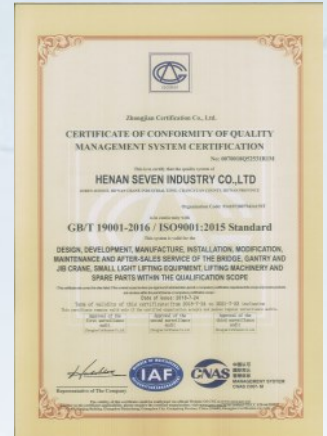
Qualification Certificate



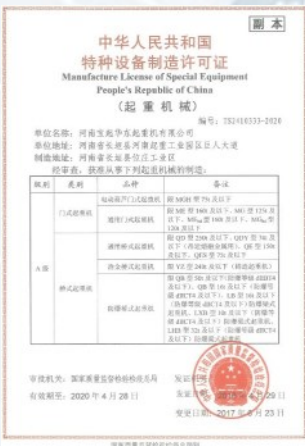
IOS certificate occupational and health



ISO certificate environment



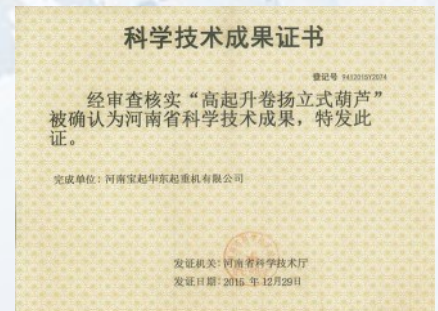
ISO certificate quality



Special equipment manufacturing certificate



China heavy machinery industry association-Membership certificate



Certificate of scientific and technological achievements



Safety mark certificate for mineral products



Abide by the contract honor enterprise



Safety production license

Jib crane

**BZ Type Pillar Jib Crane****BX Type wall mounted Jib Crane****BZY Portable Mobile Jib Crane**

Main Classification

1. BZ Type Pillar Jib Crane, Lifting capacity: 0.5t~5t, Lifting height:1m~10m, Working class A3
2. BX Type wall mounted Jib Crane, Lifting capacity 0.25t~1t, Lifting height 1m~10m,Working class A3
3. BZY Type Portable Mobile Jib Crane, Lifting capacity 0.25t~1t, Lifting height 1m~4m,Working class A3

Application

1. Widely used in workshop, storage, yard and some other fixed place
2. Especially used for lifting in short-distance or serried place
3. Forbidden to use it in inflammable, explosive corrosive condition

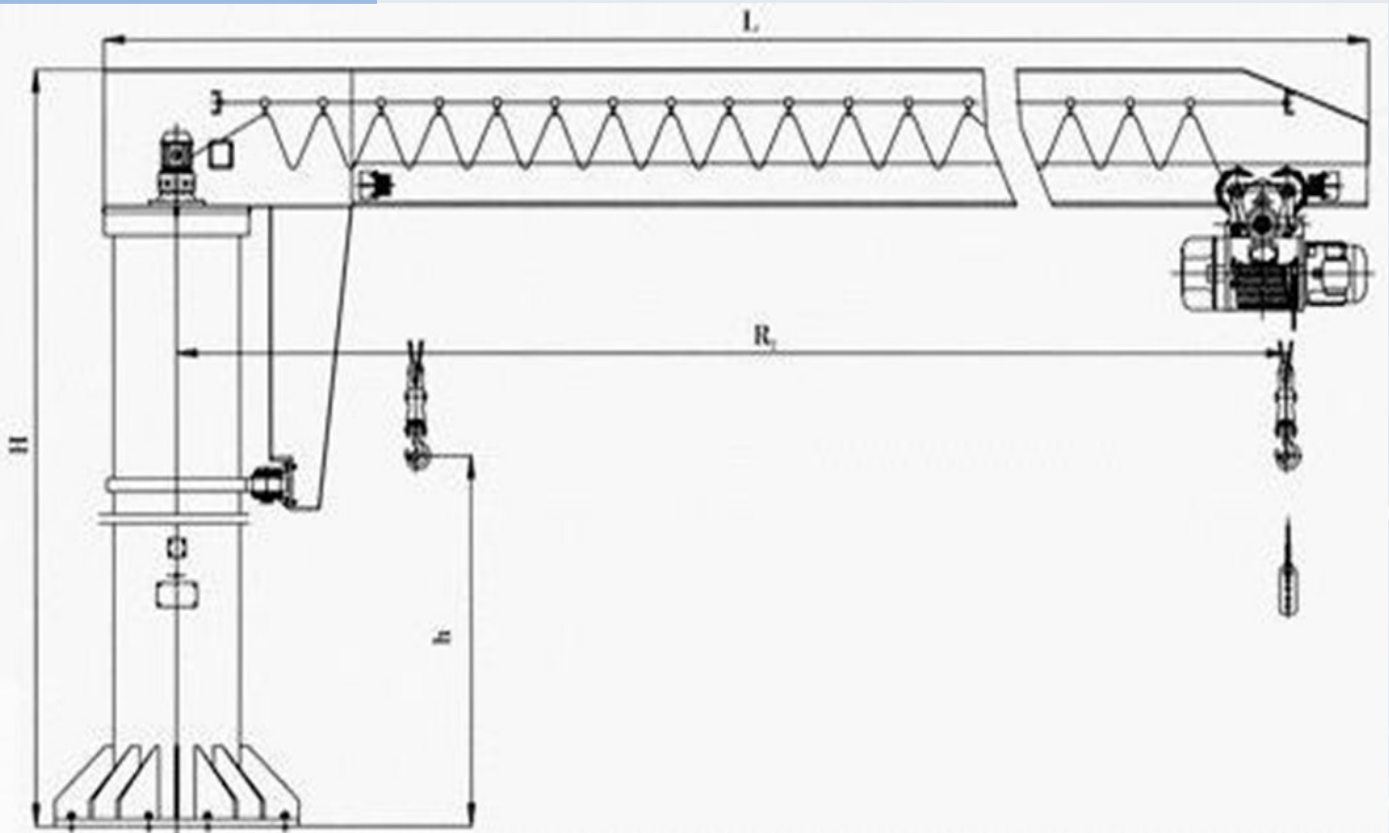
Main Features

- The jib crane is developed in recent years, can be used freely in three dimensional space
- Special structure, safe & reliable, high efficiency, energy and time saving
- Light body weight, moving flexible, large operating space
- Cover an small area, easy operation and maintenance, economic durable, rotary flexible





BZ JIB CRANE SKETCH



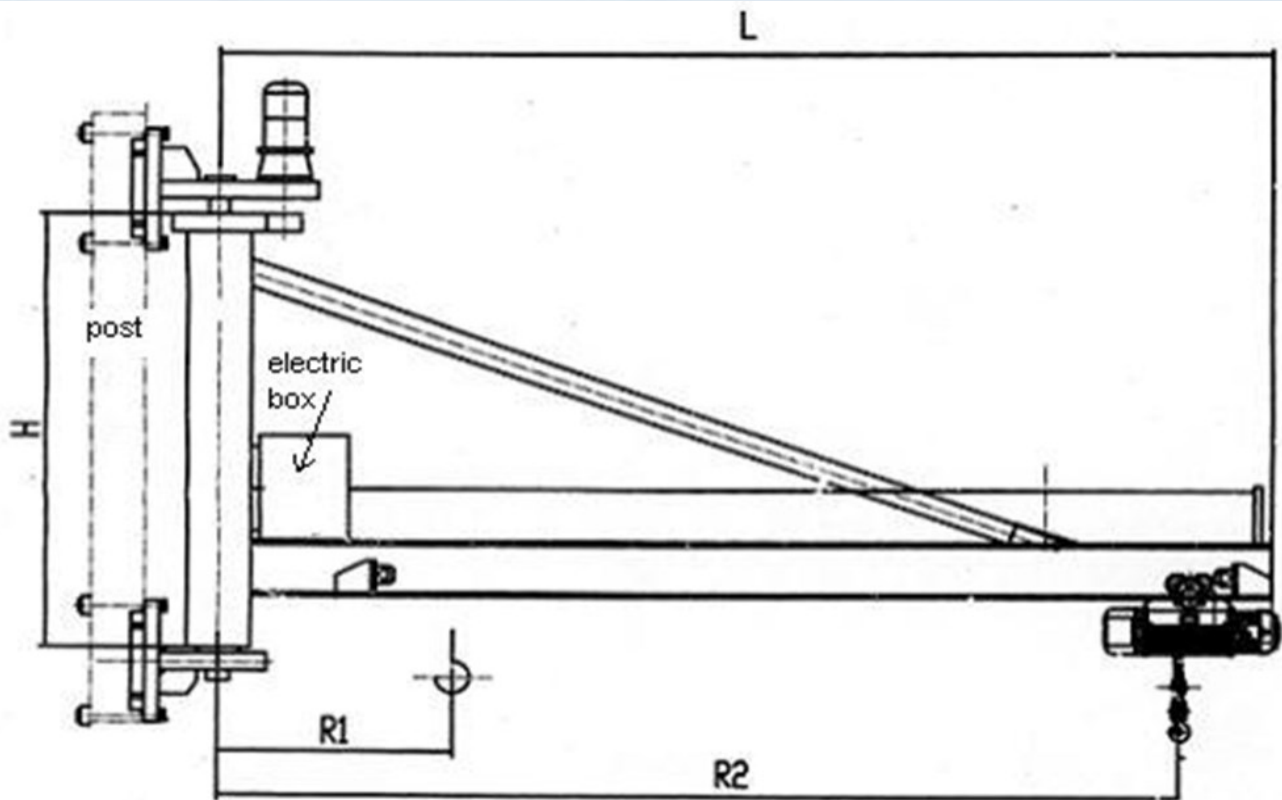
BZ Type Pillar Jib Crane		5t		
Lifting height(h)	m	4.5	5	
Rotating radius R2	m	5	5.5	
Lifting speed	m/min	8		
Rotating speed	r/min	0.5~1		
Travelling speed	m/min	20		
Rotating angle	°C	180°,270°, 360°, at will		
Max.heig ht H	m	6.522	7.022	
Max.lengt h L	m	5.94	6.44	
Body weight	kg	4224	4430	

BZ Type Pillar Jib Crane		0.5t		
Lifting height(h)	m	5	8	10
Rotating radius R2	m	4	4.5	5
Lifting speed	m/min	8		
Rotating speed	r/min	0.7		
Travelling speed	m/min	20		
Rotating angle	°C	180°,270°, 360°,at will		
Max.height H	m	5.93	6.43	6.93
Max.length L	m	4.59	5.09	5.59
Body weight	kg	1733	1933	2028

BZ Type Pillar Jib Crane		1t		
Lifting height(h)	m	5	8	10
Rotating radius R2	m	4	4.5	5
Lifting speed	m/min	8		
Rotating speed	r/min	0.7		
Travelling speed	m/min	20		
Rotating angle	°C	180°,270°, 360°, at will		
Max.height H	m	5.987	6.487	6.987
Max.length L	m	4.61	5.11	5.61
Body weight	kg	1860	1960	2229

BZ Type Pillar Jib Crane		2t		
Lifting height(h)	m	4	4.5	6
Rotating radius R2	m	4	4.5	5
Lifting speed	m/min	8		
Rotating speed	r/min	0.7		
Travelling speed	m/min	20		
Rotating angle	°C	180°,270°, 360°, at will		
Max.height H	m	5.28	6.78	6.28
Max.length L	m	4.626	5.126	5.626
Body weight	kg	2478	2613	2748

BZ Type Pillar Jib Crane		3t		
Lifting height(h)	m	4.5	5	
Rotating radius R2	m	5	5.5	
Lifting speed	m/min	8		
Rotating speed	r/min	0.5~1		
Travelling speed	m/min	20		
Rotating angle	°C	180°,270°, 360°, at will		
Max.height H	m	6.254	6.754	
Max.length L	m	6.32	6.82	
Body weight	kg	3577	3742	

BX JIB CRANE SKETCH


BX Type Mural Jib CRane				0.25t
Lifting height(h)	m	5	5.5	6
Rotating radius R	m	4	4.5	5
Lifting speed	m/min	8		
Travelling speed	m/min	20		
Rotating angle	°C	180°,270°, 360°, at will		
Pillar Centre Height(H)	m	1.2		
Max. Length(L)	m	4.326	4.826	5.326
Body weight	kg	343	362	378

BX Type Mural Jib CRane			0.5t	
Lifting height(h)	m	5	5.5	6
Rotating radius R	m	4	4.5	5
Lifting speed	m/min	8		
Travelling speed	m/min	20		
Rotating angle	℃	180°,270°, 360°, at will		
Pillar Centre Height(H)	m	1.6		
Max. Length(L)	m	4.43	4.93	5.43
Body weight	kg	389	405	420

BX Type Mural Jib CRane			1t	
Lifting height(h)	m	5	5.5	6
Rotating radius R	m	4	4.5	5
Lifting speed	m/min	8		
Travelling speed	m/min	20		
Rotating angle	℃	180°,270°, 360°, at will		
Pillar Centre Height(H)	m	2.56		
Max. Length(L)	m	4.525	5.025	5.525
Body weight	kg	768	782	810

