

# SEVENCRAANE

Henan Seven Industry Co.,Ltd

Address: Changyuan, Xinxiang City, Henan province, China.

Email: [info@sevencrane.com](mailto:info@sevencrane.com)

Tel: (00)86-371-55576206

Web: [www.sevencrane.com](http://www.sevencrane.com)

Henan Seven Industry Co.,Ltd

# Single Girder Gantry Crane



**SEVENCRA**

## Company profile

SEVENCRANE (Henan Seven Industry Co., Ltd) offers our customers with reliable, safe and high-performance solutions for industrial cranes, crane components and drives. SEVENCRANE serves a wide range of industries including machinery, metallurgy, power industry, railways, water conservancy, ports, mines, coal, petroleum, chemical industries, etc.

SEVENCRANE stands for first-rate service, cost-effective, high quality. Based on our brand commitment, we provide butler-style services to our customers at all stages, and fully consider the solutions for the purchase, production, transportation, installation and after-sale process of cranes.

Our customers appreciate our reliability and professionalism. Our sales staffs are trained in professional crane knowledge and customers can communicate with them on technical issues directly.

### Values and vision

**SEVENCRANE is committed to the highest efficiency, best results and best service. Choose SEVENCRANE to give you peace of mind and focus on your business.**

**Our core values: First class service—Safety—Efficient—Reliable**

*" Tell sevencrane your needs and leave the rest to us. "*

### Business area

Spare parts and service	Industrial cranes
SEVENCRANE provides components and maintenance services for all types of cranes to help customers increase productivity and perform crane maintenance or assembly.	SEVENCRANE serves a wide range of industries including machinery, metallurgy, power industry, railways, water conservancy, ports, mines, coal, petroleum, chemical industries, etc. We offer cranes, solutions of crane and material handling solutions to a wide range of customers.
Product: SEVENCRANE can provide: Rail system, Bus bar, Remote control, Wire rope, All kinds of hook block, Wheels, Couplings, Drums, Buffers, End carriage, Pulley, Grab buckets, Crane magnet. We also provide crane system design, crane installation and training for our customers, and have perfect after-sales service.	Product: SEVENCRANE provide customers in various industries: Gantry crane, Bridge crane, Jib crane, Electric hoist, Winch, European type crane.

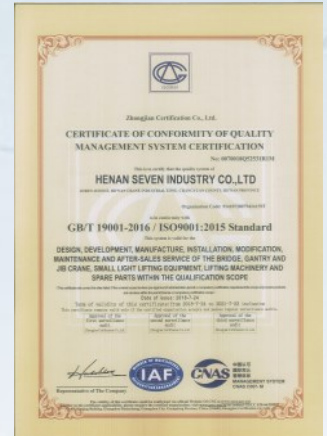
# Qualification Certificate



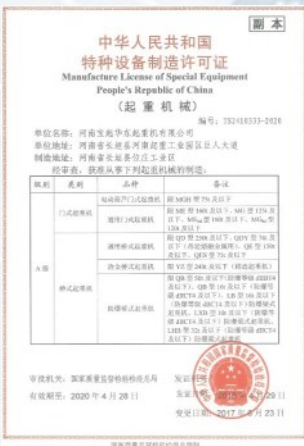
IOS certificate occupational and health



ISO certificate environment



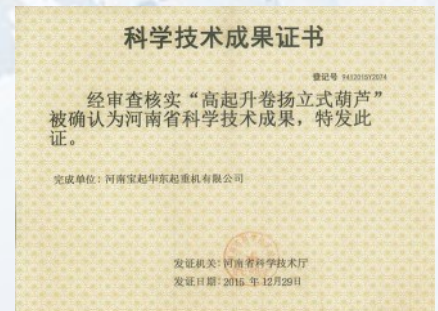
ISO certificate quality



Special equipment manufacturing certificate



China heavy machinery industry association-Membership certificate



Certificate of scientific and technological achievements



Safety mark certificate for mineral products



Abide by the contract honor enterprise



Safety production license

## Single girder gantry crane



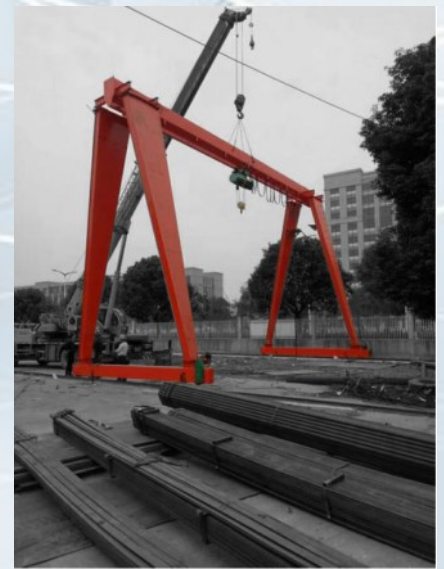
### Overview

Single girder gantry crane is a deformation of single girder bridge crane. It is mainly used for outdoor yard, yard goods, bulk cargo. Its metal structure is like a portal frame, bearing the main beam under the installation of two legs, can be directly on the ground on the track, the main beam at both ends can be overhanging cantilever beam.

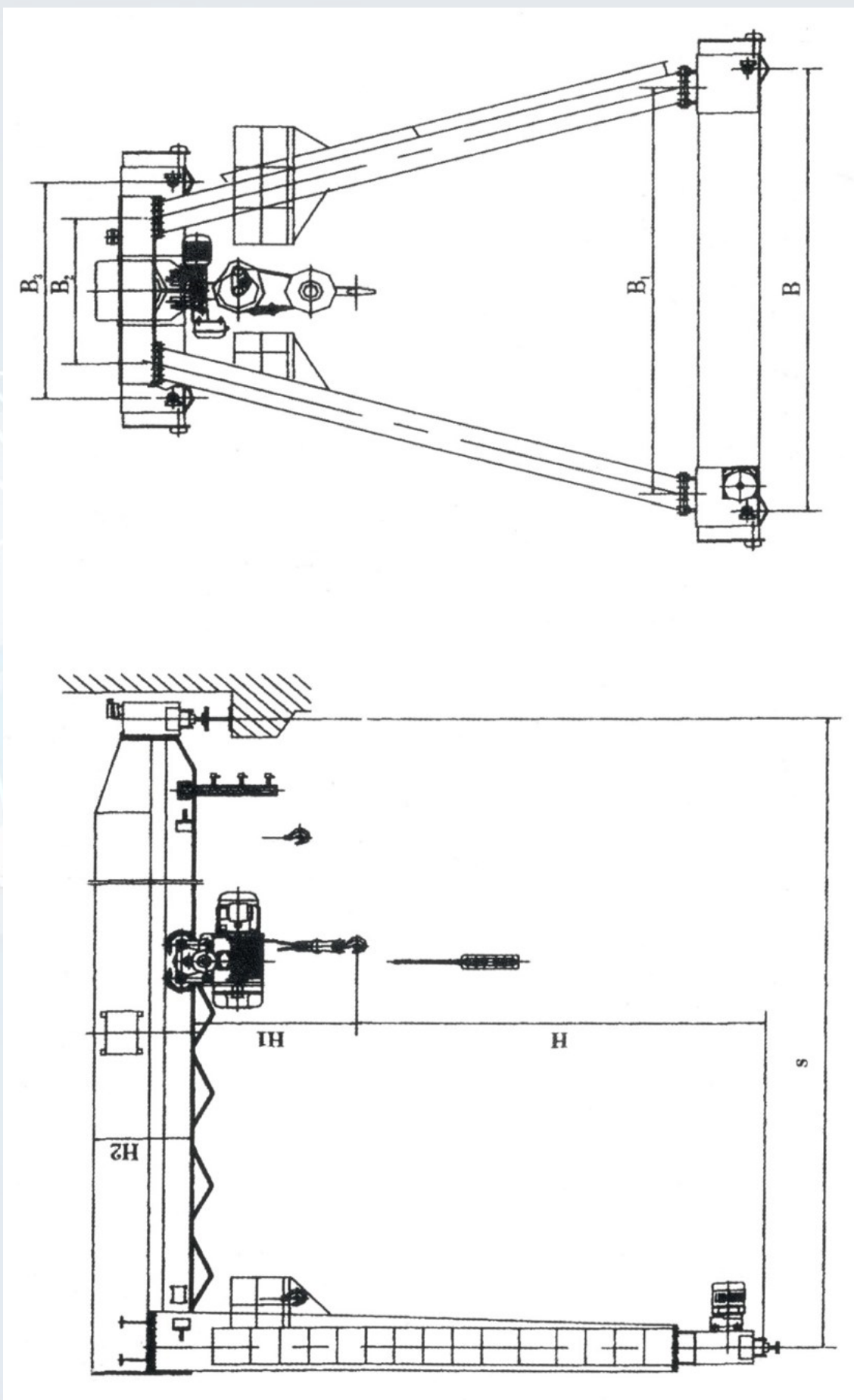
### Specification

1. Load capacity: 3 tons~32 tons
2. Span: 4.5m~30m
3. Lifting height: 3m~18m or according to customer request
4. Model of electric hoist: electric wire rope hoist or electric chain hoist
5. Traveling speed: 20m/min, 30m/min
6. Lifting speed: 8m/min, 7m/min, 3.5m/min
7. Working duty: A3 Power source: 380v, 50hz, 3 phase or according to your local power
8. Wheel diameter:  $\phi 270, \phi 400$
9. width of track: 37~70mm
10. Control model: pendent control, remote control





SKETCH



**SINGLE GIRDER GANTRY CRANE/3T**

起重量 Lifting capacity		t	3				
跨度 Span		m	12	16	20	24	
起升高度 Lifting height		m	6/9				
运行机构 Travelling mechanism	运行速度 Travelling speed	地面Ground	20				
		司机室Controlling room	20	30	45		
	电动机 Motor	地面Ground	ZDY <sub>1</sub> (D)21-4/0.8×2		ZDY <sub>1</sub> (D)22-4/1.5×2		
		司机室Controlling room	ZDY 21-4/0.8×2		ZDY 100-4(D)/1.5×2		
	减速器 Reducer		LD驱动装置				
	车轮直径 Wheel diameter		mm	Ø270		Ø400	
电动葫芦 Electric hoist	型号 Type		CD <sub>1</sub> MD <sub>1</sub>				
	起升速度 Lifting speed		m/min	8 0.8/8			
	运行速度 Travelling speed		m/min	20			
	电动机 Motor	起升 Lifting	ZD <sub>1</sub> 41-4/4.5		ZDS <sub>1</sub> 0.4/4.5		
运行 Travelling		ZDY <sub>1</sub> 12-4/0.4					
工作级别 Working system			A4				
荐用钢轨 Steel track recommended			P34 P38				
电源 Power source			三相交流 380V 50Hz				
起重机重量 The crane weight	地面Ground	t	7.4/8.7	8.6/9.9	11.3/12.6	13/14.3	
	司机室Controlling room	t	8.2/9.9	9.4/11.1	12.1/13.8	13.8/15.5	
最大轮压 Max wheel load		kN	37/42	40/46	44/50	48/54	
基本尺寸 Basic dimensions	L <sub>1</sub>		3000	4000	5000	6000	
	L <sub>2</sub>		3000	4000	5000	6000	
	H <sub>1</sub>		1120				
	H <sub>2</sub>		650	700	800	900	
	H <sub>3</sub>		7635/10635	7685/10685	7785/10785	7885/10885	
	B		4500/5500		5500/6500		
	B <sub>1</sub>		5000/6000		6000/7000		
	B <sub>2</sub>		5400/6400		6500/7500		
	B <sub>3</sub>		1500				



SINGLE GIRDER GANTRY CRANE/5T

起重量 Lifting capacity		t	5					
跨度 Span		m	12	16	20	24	30	
起升高度 Lifting height		m	6/9				9	
运行机构 Travelling mechanism	运行速度 Travelling speed	地面Ground	20					
		司机室Controlling room	20	30	40			
	电动机 Motor	地面Ground	ZDY <sub>1</sub> (D)22-4/1.5×2			YZR132M2-6/3.7×2		
		司机室Controlling room	ZDR 12-4/1.5×2					
	减速器 Reducer			LD驱动装置			ZSC4000	
车轮直径 Wheel diameter		mm	Ø270			Ø400		
电动葫芦 Electric hoist	型号 Type No.		CD <sub>1</sub> MD <sub>1</sub>					
	起升速度 Lifting speed		m/min	8	0.8/8			
	运行速度 Travelling speed		m/min	20				
	电动机 Motor	起升 Lifting	ZD <sub>1</sub> 41-4/7.5			ZDS <sub>1</sub> 0.8/7.5		
运行 Travelling		ZDY <sub>1</sub> 21-4/0.8						
工作级别 Working system			A4					
荐用钢轨 Steel track recommended			P24		P38			
电源 Power source			三相交流 380V 50Hz					
起重机重量 The crane weight	地面Ground	t	8.4/9.8	9.6/11.2	13.6/15.2	18.3/20.4		
	司机室Controlling room	t	9.2/11	10.4/12.2	14.4/16.4	19.1/21.6	25.1	
最大轮压 Max wheel load		kN	54/59	62/67	70/75	78/83	96	
基本尺寸 Basic dimensions	L <sub>1</sub>	3000	4000	5000	6000	7500		
	L <sub>2</sub>							
	H <sub>1</sub>	1160						
	H <sub>2</sub>	800	900	1000	1150	1300		
	H <sub>3</sub>	7960/10960	8060/11060	8160/11160	8310/11310	11460		
	B	4500/5500			5500/6500			
	B <sub>1</sub>	5500/6500			6500/7500			
	B <sub>2</sub>	6000/7000			7100/8100			
B <sub>3</sub>	1500							



**SINGLE GIRDER GANTRY CRANE/10T**

起重量 Lifting capacity		t	10					
跨度 Span		m	12	16	20	24	30	
起升高度 Lifting height		m	6/9				9	
运行机构 Travelling mechanism	运行速度 Travelling speed	地面Ground	20					
		司机室Controlling room	30		40			
	电动机 Motor	地面Ground	YZR132M2-6/4×2			YZR160M1-6/6.3×2		
		司机室Controlling room				YZR160M1-6/6.3×2	YZR160M2-6/8.5×2	
	减速器 Reducer			ZSC400			ZSC(A)600	
	车轮直径 Wheel diameter		mm	φ 400			φ 500	
电动葫芦 Electric hoist	型号 Type No.		CD <sub>1</sub> MD <sub>1</sub>					
	起升速度 Lifting speed		m/min	7 0.7/7				
	运行速度 Travelling speed		m/min	20				
	电动机 Motor	起升 Lifting		ZD <sub>1</sub> 51-4/13		ZDS <sub>1</sub> 1.5/13		
运行 Travelling			ZDY <sub>1</sub> 21-4/0.8×2					
工作级别 Working system			A4					
荐用钢轨 Steel track recommended			P38		P43			
电源 Power source			三相交流 380V 50Hz					
起重机重量 The crane weight	地面Ground	t	14.8/16.1	16.7/18.7	19.6/21.6	24.4/26.6	30.1	
	司机室Controlling room	t	14.8/17.3	17.5/19.9	20.4/22.9	25.2/27.9	31.4	
最大轮压 Max wheel load		kN	97/102	105/110	113/118	121/126	149	
基本尺寸 Basic dimensions	L <sub>1</sub>	3000	4000	5000	6000	7500		
	L <sub>2</sub>							
	H <sub>1</sub>	1350						
	H <sub>2</sub>	1000	1100	1200	1300	1600		
	H <sub>3</sub>	8350/11350	8450/11450	8550/11550	8650/11650	12250		
	B	4500/5500			5500/6500			
	B <sub>1</sub>	5500/6500			6500/7500			
	B <sub>2</sub>	6000/7100			7100/8100			
	B <sub>3</sub>	1600						

SINGLE GIRDER GANTRY CRANE/16T

起重量 Lifting weight		t	16					
跨度 Span		m	12	16	20	24	30	
起升高度 Lifting height		m	6:9				9	
运行机构 Travelling mechanism	运行速度 Travelling speed	地面Ground	20					
		司机室cabin	30		40			
	电动机 Motor	地面Ground	型号/kW	YZR160M <sub>1</sub> -6/6.3×2		YZR160M <sub>2</sub> -6/8.5×2		
		司机室Controlling room		YZR160M <sub>2</sub> -6/8.5×2		YZR160L <sub>2</sub> -6/11×2		
	减速器 Reducer			ZSC600				
	车轮直径 Wheel diameter		mm	Φ500		Φ600		
电动葫芦 Electric hoist	型号 Type		CD <sub>1</sub>					
	起升速度 Lifting speed		m/min	3.5				
	运行速度 Travelling speed		m/min	20				
	电动机 Motor	起升 Lifting	型号/kW	ZD <sub>1</sub> 51-4/13				
运行 Travelling		ZDY <sub>1</sub> 21-4/0.8×2						
工作级别 Working system			A5					
荐用钢轨 Steel track recommended		kg/m	P38		P43			
电源 Power source			三相交流 3-Phase A.C. 380V 50Hz					
起重机重量 The crane weight	地面Ground	kg内地/沿海	15217/18217	18923/21923	21822/24822	27020/30020	29758/32758	
	司机室Controlling room	kg内地/沿海	15667/18667	19373/22373	22272/25272	27472/30470	30208/33208	
最大轮压 Max wheel load		kN	143/150	152/159	165/174	169/176	180/190	
基本尺寸 Basic dimensions	L <sub>1</sub>	mm	3000	4000	5000	6000		
	L <sub>2</sub>	mm						
	H <sub>1</sub>	mm	2300					
	H <sub>2</sub>	mm	1100	1200	1300	1400	1600	
	H <sub>3</sub>	mm	9500/12500	9600/12600	9700/12700	9800/12800	9500/9900	
	B	mm	5500/6000			6500/7500		
	B <sub>1</sub>	mm	6500/7000			7500/8500		
	B <sub>2</sub>	mm	7000/7500			8200/9200		
	B <sub>3</sub>	mm	1600			1700		



**SINGLE GIRDER GANTRY CRANE/20T**

起重量 Lifting weight		t	20				
跨度 Span		m	12	16	20	24	30
起升高度 Lifting height		m	6;9				
运行机构 Travelling mechanism	运行速度 Travelling speed	地面Ground	m/min		20		
		司机室cabin			30		
	电动机 Motor	地面Ground	型号/kW		YZR160M <sub>1</sub> -6/6.3×2	YZR160L <sub>1</sub> -6/8.5×2	
		司机室Controlling room			YZR160M <sub>2</sub> -6/8.5×2	YZR160L <sub>2</sub> -6/11×2	
	减速器 Reducer		ZSC600				
	车轮直径 Wheel diameter		mm	Φ600		Φ700	
电动葫芦 Electric hoist	型号 Type		HC <sub>HD</sub>				
	起升速度 Lifting speed		m/min	3,4,5			
	运行速度 Travelling speed		m/min	20			
	电动机 Motor	起升 Lifting	Type/KW	ZD <sub>1</sub> 52-4/18.5 kW			
运行 Travelling		ZDY <sub>1</sub> 21-4/0.8×4					
荐用钢轨 Steel track recommended			43		50		
电源 Power source		三相交流 3-Phase A.C. 380V 50Hz					
起重机重量 The crane weight	地面Ground 司机室Controlling room	t	16.85/17.52	21.63/22.4	25/25.87	31/32.15	38/39.17
最大轮压/最小轮压 Max/min wheel load		kN	199.2 99.6	223.2 123.2	240.7 141.7	278.7 178.7	316.8 211.8
基本尺寸 Basic dimensions	L <sub>1</sub>	mm	3000	4000	5000	6000	7000
	L <sub>2</sub>	mm					
	H	mm	6000				9000
	H <sub>1</sub>	mm	2725				
	H <sub>2</sub>	mm	1400	1600	1800	2000	2200
	B	mm	5000				5500
	B <sub>1</sub>	mm	6000				6500
	B <sub>2</sub>	mm	7600				8500
	B <sub>3</sub>	mm	1600				1700

SINGLE GIRDER GANTRY CRANE/32T

起重量 Lifting weight		t	32					
跨度 Span		m	12	16	20	24	30	
起升高度 Lifting height		m	6;9					
运行机构 Travelling mechanism	运行速度 Travelling speed	地面Ground	20					
		司机室 cabin	30					
	电动机 Motor	地面Ground	YZR160M <sub>2</sub> -6/8.5×2		YZR160L <sub>2</sub> -6/11×2			
		司机室Controlling room	YZR160M <sub>2</sub> -6/8.5×2		YZR160L <sub>2</sub> -6/11×2			
	减速器 Reducer		ZSC600		ZSC750			
	车轮直径 Wheel diameter		mm	Φ700				
电动葫芦 Electrihoist	型号 Type		HC <sub>HD</sub>					
	起升速度 Lifting speed		m/min	3				
	电动机 Motor	起升 Lifting	ZDX 62-6/18.5					
		运行 Travelling	YZD21-4/0.8×4					
荐用钢轨 Steel track recommended		kg/m	43		50			
电源 Power source		三相交流 3-Phase A.C. 380V 50Hz						
起重机重量 The crane weight		t	19.65	23.66	33.84	38.58	42.66	
最大轮压 Max wheel load		kN	224.6/231.7	268.5/276.6	365.2/373.6	416.3/428.5	473.5/481.6	
基本尺寸 Basic dimensions mm		L <sub>1</sub>	3000	4000	5000	6000	7000	
		L <sub>2</sub>						
		H	6000					9000
		H <sub>1</sub>	3085					
		H <sub>2</sub>	1700	1900	2000	2100	2300	
		H <sub>3</sub>						
		B	5000					5500
		B <sub>1</sub>	6000					6500
		B <sub>2</sub>	7600					8500
		B <sub>3</sub>	1600					1700

